



AZUMA

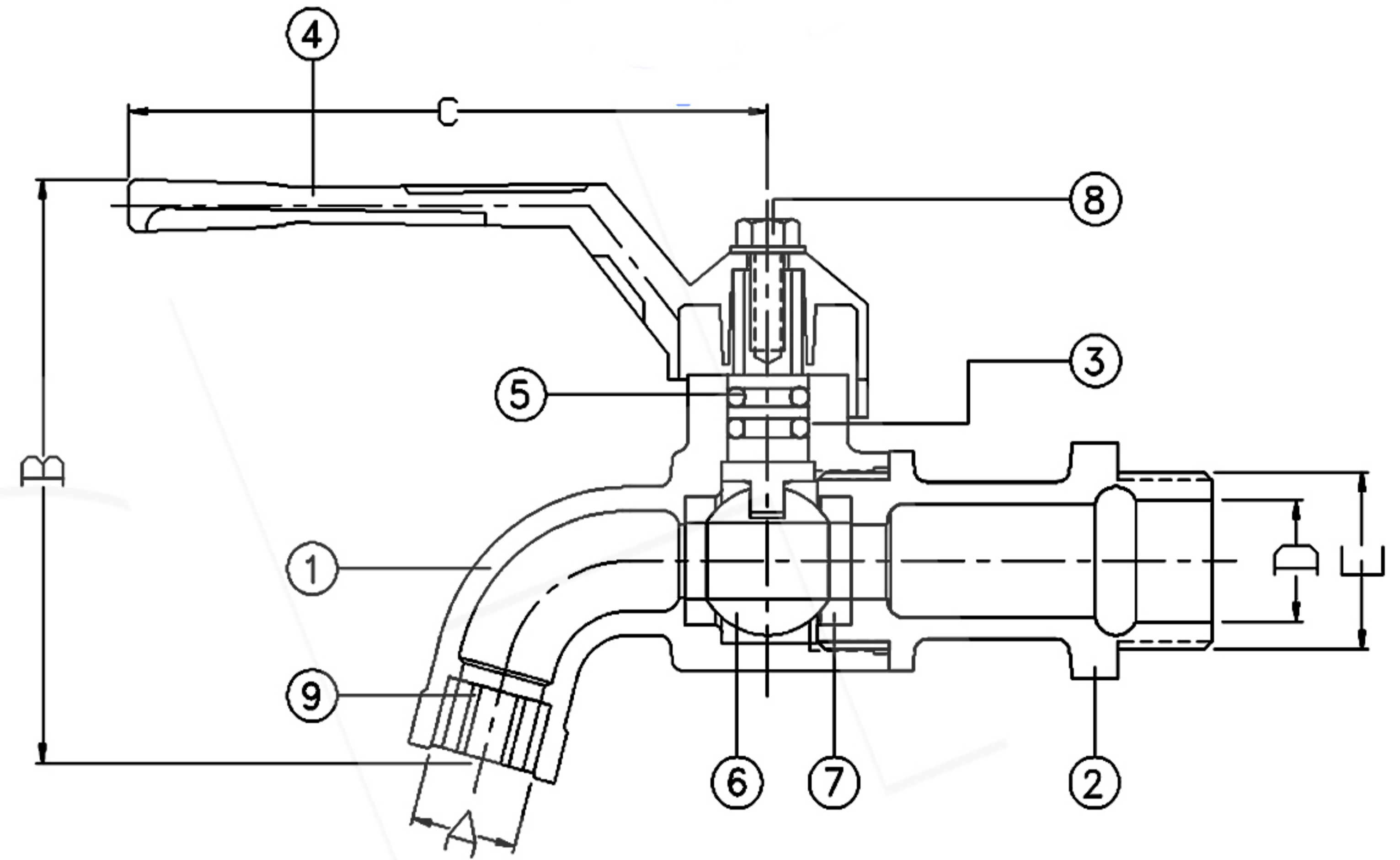
COCKS and VALVES

BALL TAP

ก๊อกบอล

MODEL BK

NO.522



Dimension in mm.

SIZE	A	B	C	D	E
1/2"	13	65	76	14	PT1/2"
3/4"	17	80	85	20	PT3/4"

NO.	NAME	MATERIAL
1	Body	Brass with nickel plated
2	Tail	Brass with nickel plated
3	O-Ring	Rubber
4	Lever	Aluminium alloy with painting
5	Stem	Brass Rod
6	Ball	Brass with chrome plated
7	Packing	Teflon
8	Screw	Steel
9	Strainer	Polymer